

Conversions

1 mile = 5280 feet

1 mile = 1760 yards

1 pound = 16 ounces

1 ton = 2000 pounds

1 cup = 8 fluid ounces

1 quart = 2 pints

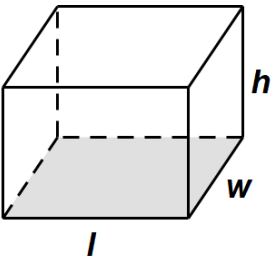
1 pint = 2 cups

1 gallon = 4 quarts

1 liter = 1000 cubic centimeters

Formulas

VOLUME (V)

Name	Shape	Formula
Right Rectangular Prism		$V = l \times w \times h$ or $V = B \times h$ B : area of base h : height l : length w : width